

Vacuum lifter



Series M1A

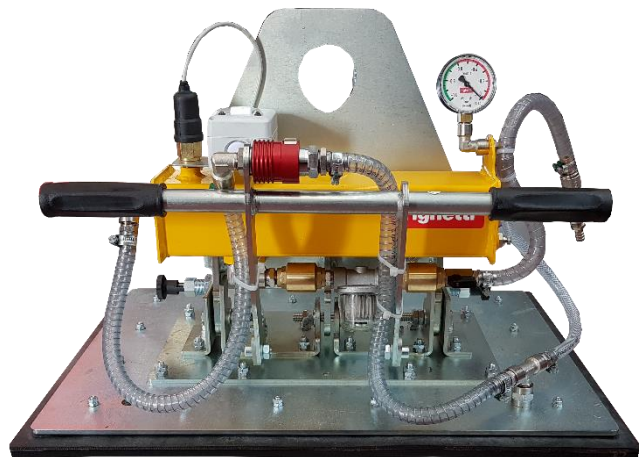


AIR Power supply
Compressed Air

The Vacuum Lifter M1A series includes a **wide range of single plate models** with capacity ranging from 100 kg to 1000 kg.

The M1A series is powered by compressed air. The **manual tilting system** allows a vertical – horizontal movement of the load and vice versa.

The maximum capacity of the lifter depends on the size of the suction plate.



Horizontal lifting

✓ 1 suction pad



Vertical lifting

✓ Max capacity 1000 kg



Manual tilt 0-90°

✓ Safety devices

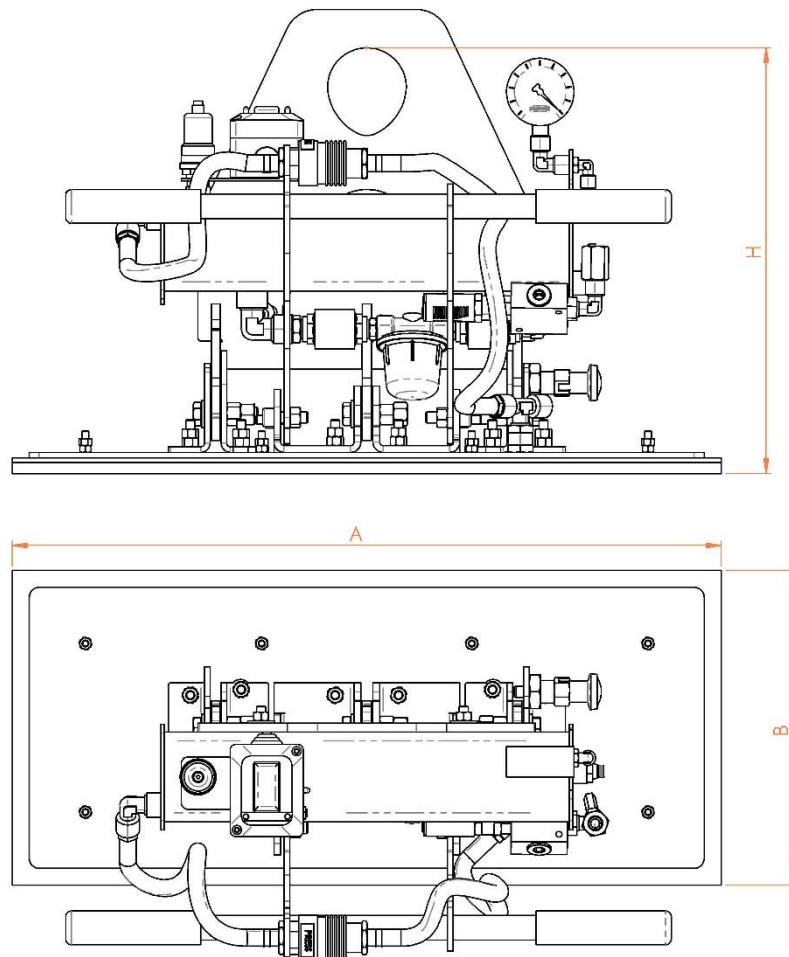


made in
ITALY

Technical specification

Application	Not porous materials
Lifting capacity	Models up to 1000 kg
Suction pads	Nr. 1 suction pad
Load movement	Manual tilt 0-90°
Operating system	Compressed air
Vacuum system	Vacuum circuit, complete of vacuum reserve and non return valve
Control	Manual valve on the lifter's frame Release of the load by dual action security command
Standard features	On-off double sliding valve with safety Audible and visual low vacuum warning devices Vacuum gauge with colored scale, vacuum filter, non return valves
Optional	White gaskets Holder for hoist command

Technical drawing



Series M1A

 **Kg max 1000**

Product code	Lifting capacity	A	B	H
M1A 125	125	480	230	380
M1A 200	200	730	190	380
M1A 250	250	630	280	380
M1A 300	300	630	330	380
M1A 500	500	630	430	380
M1A 750	750	830	480	450
M1A 1000	1000	960	530	450